

# **WALL MOUNT SPEAKER**

## **User manual**

## CONTENTS

Introduction .....	03
Product Overview .....	03
Features .....	03
Materials .....	03
Technical Parameters .....	05
Installation and Connection .....	07
U-shaped Bracket Installation .....	07
Multi-angle Adjustable Bracket Installation .....	07
Packing List .....	08
Appendix: Series Model Comparison Table .....	08

## INTRODUCTION

Thanks for using our speaker products. All our products are tested strictly before leaving the factory, with guaranteed quality. Our speakers are widely used in such places as schools, gymnasiums, squares, parks, parking lots, railway stations, airports, villa communities and supermarkets, etc. It will be your ideal choice for public address.

For better installation, commissioning and use of the product, please read this manual carefully before installation.

## PRODUCT OVERVIEW

### Features

- Focus on sound quality. With phase-inverted design, tweeter and woofer for clear and bright sound, and powerful bass.
- Various models are available: can be used with a constant voltage power amplifier for long-distance transmission; can be directly connected to an audio source for playing; can be directly connected to the network for use, etc.; can meet the needs of various application environments. (See appendix: Series Comparison Table for details)
- With streamlined appearance design, arc-shaped case and net cover.
- Available in black and white, applicable to different places.

### Materials

**Mesh:** Made of 1060 pure aluminum, subject to hardening and anti-oxidation treatment, not easy to cause deformation, and never get rusty.

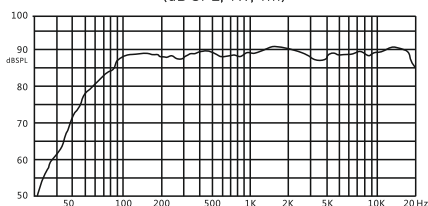
**Case:** Made of UL94V-0 grade fireproof thickened ABS material, durable, safe and reliable.

**Unit Driver:** Treble diaphragm is made of natural silk diaphragm, while bass diaphragm is made of polypropylene material, with 3.5-inch magnetic circuit.

**Transformer:** E-type pure copper wire-turn audio transformer, ensuring the fidelity of audio output.

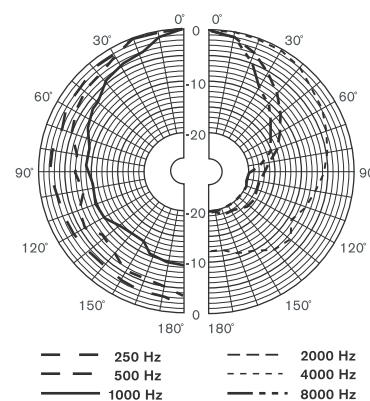
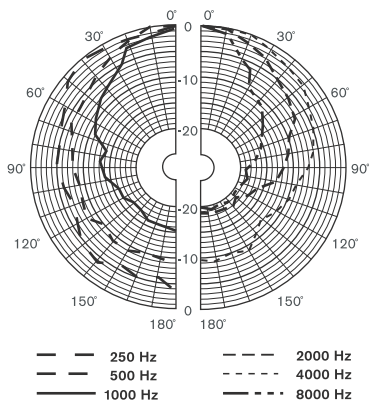
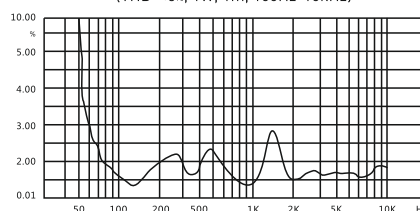
**Mounting Bracket:** Precision rustproof treatment.

**NVS-10600040WS/NVS-10610040WS**  
**Frequency Response**  
(dB SPL, 1W, 1m)



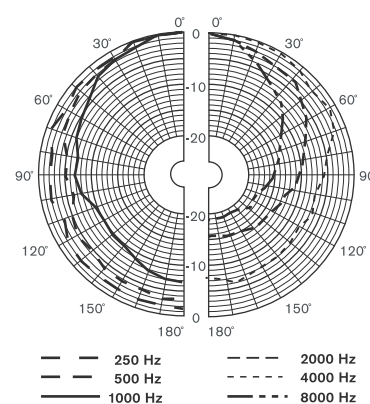
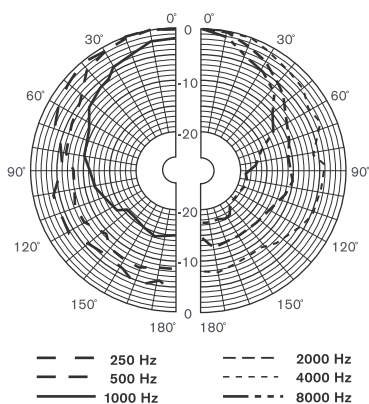
**NVS-10600040WS/NVS-10610040WS**  
**Distortion**

(THD < 5%, 1W, 1m, 100Hz-10kHz)



**NVS-10560020WS/NVS-10570020WS**  
**Vertical Directivity Pattern**

**NVS-10560020WS/NVS-10570020WS**  
**Horizontal Directivity Pattern**



**NVS-10580030WS/NVS-10590030WS**  
**Vertical Directivity Pattern**

**NVS-10580030WS/NVS-10590030WS**  
**Horizontal Directivity Pattern**



■ Black --- Common End  
□ White --- 70V/100V

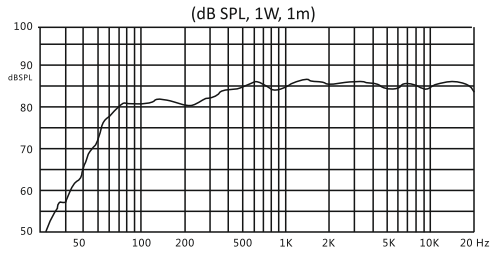
**Wiring Diagram**

Power	Line Voltage	NVS-10560020WS/ NVS-10570020WS		NVS-10580030WS/ NVS-10590030WS		NVS-10600040WS/ NVS-10610040WS	
		70V	100V	70V	100V	70V	100V
Terminal							
	Black --- White	10W	20W	15W	30W	20W	40W

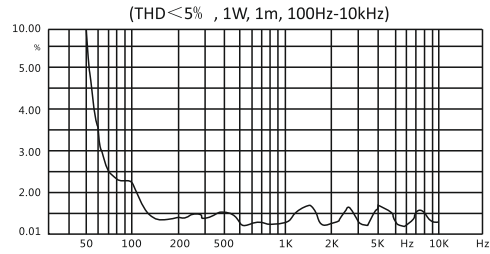
**Audio Terminal Table**

## TECHNICAL PARAMETERS

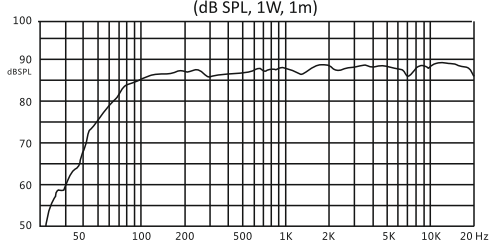
**NVS-10560020WS/NVS-10570020WS**  
**Frequency Response**



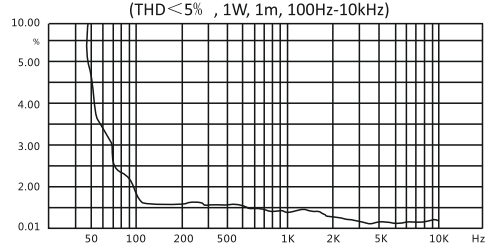
**NVS-10560020WS/NVS-10570020WS**  
**Distortion**



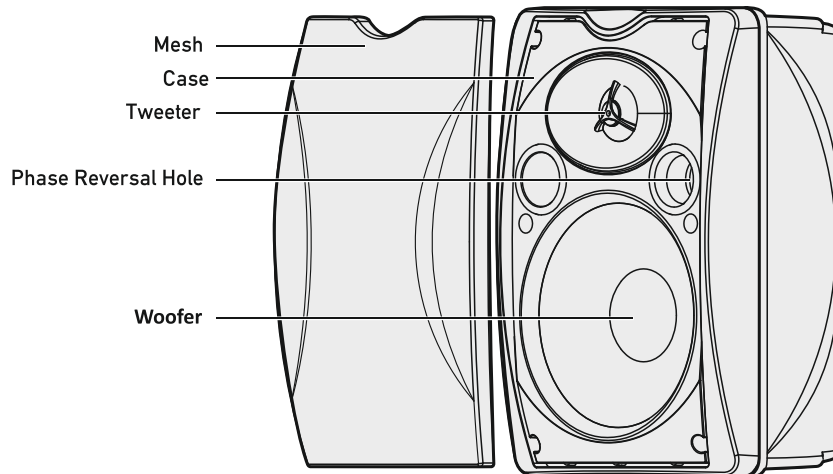
**NVS-10580030WS/NVS-10590030WS**  
**Frequency Response**



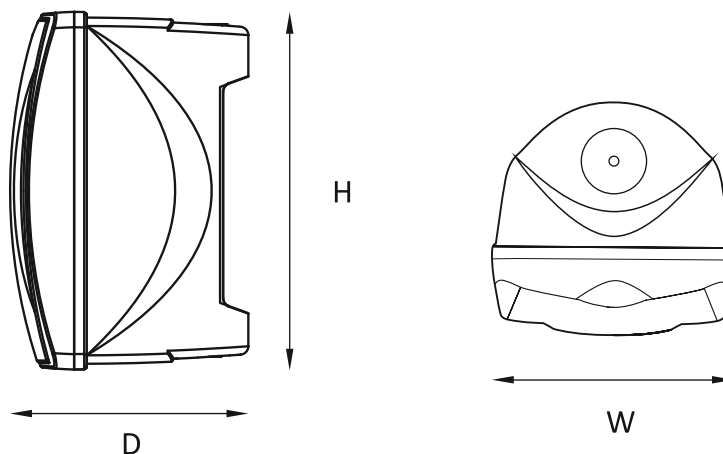
**NVS-10580030WS/NVS-10590030WS**  
**Distortion**



## Product Breakdown Structure

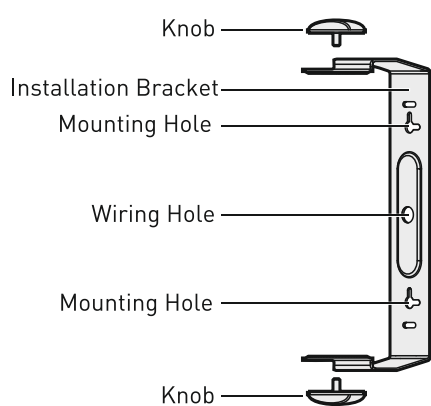


## Product Dimensions



Model	Height (mm)	Width (mm)	Depth (mm)
NVS-10560020WS/NVS-10570020WS	255	176	170
NVS-10580030WS/NVS-10590030WS	280	194	185
NVS-10600040WS/NVS-10610040WS	310	215	203

## Installation Brackets



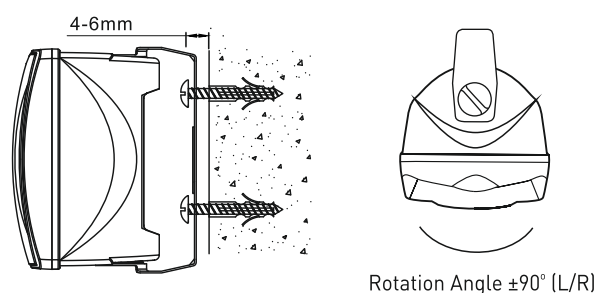
**U-shaped Bracket (Universal)**

## INSTALLATION AND CONNECTION

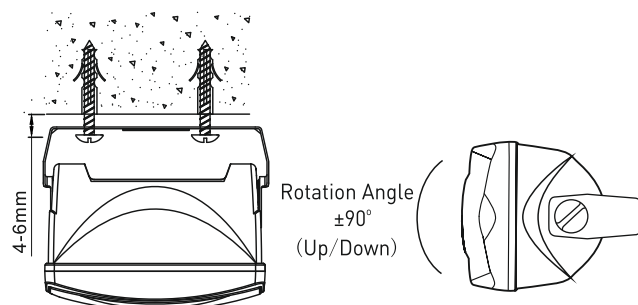
Suggestions for the installation position of the speakers: the distance between the speaker and the ground is recommended to be 1.8-2 m, and the distance between multiple speakers is recommended to be within 5m.

### U-shaped Bracket Installation

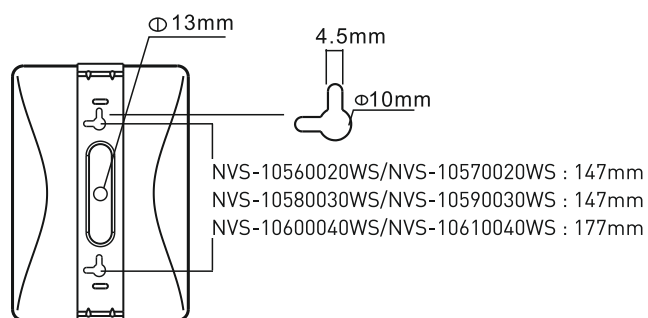
#### Vertical Installation



#### Horizontal Installation



#### Bracket Mounting Holes Distance

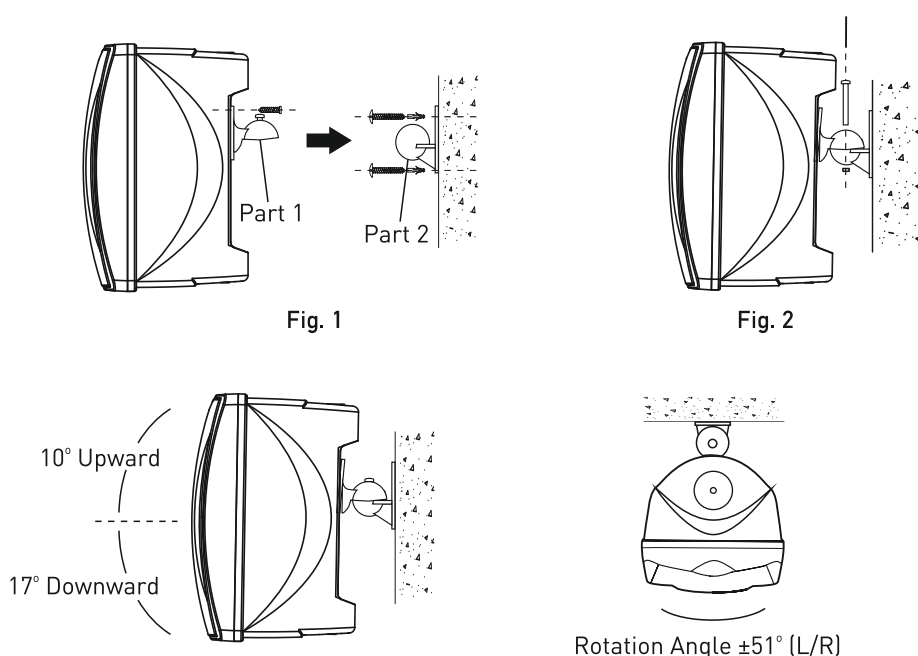


This bracket supports two installation methods: vertical and horizontal. Please choose the one that best meets your needs.

- According to the bracket mounting holes distance diagram, select an appropriate position to install two nails of 4mm diameter on the wall where the speaker is to be installed, leaving the gap between the nail cap and the wall of 4-6mm.
- Connect the speaker to the audio cable (see Wiring Diagram). Different voltages correspond to different powers (see Audio Terminal Table).
- Mount the speaker, adjust the angle of the speaker, tighten the knobs on both ends of the bracket, and check it is secure and reliable.

### Multi-angle Adjustable Bracket Installation

(Can be purchased only with NVS-10580030WS/NVS-10590030WS)



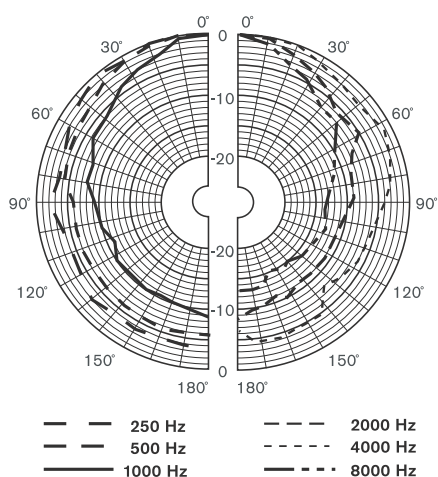
- Unscrew the multi-angle adjustable bracket screw first, and separate the part 1 and part 2. Fix the speaker and part 1; choose an appropriate position to fix the part 2 on the wall. (Fig. 1)
- Connect the speaker to the audio cable (see Wiring Diagram). Different voltages corresponds to different powers (see Audio Terminal Table).
- Cover the part 1 of the speaker on the sphere of the part 2, adjust the angle of the speaker, and fix the part 1 and part 2 firmly with the screw. (Fig. 2)



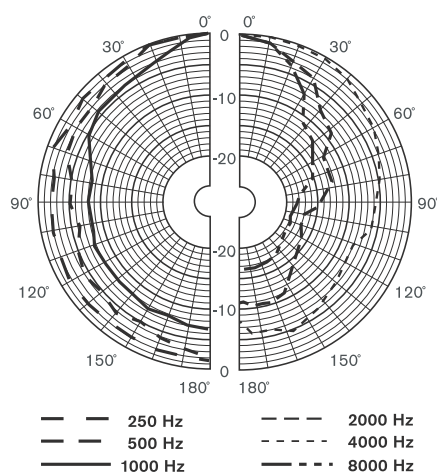
## PACKING LIST

Component	Quantity
Wall Mount Speaker.....	1
U-shaped Bracket.....	1
User Manual.....	1
Certificate.....	1
Warranty Card.....	1

## Appendix: SERIES MODEL COMPARISON TABLE



**NVS-10600040WS/NVS-10610040WS**  
Vertical Directivity Pattern



**NVS-10600040WS/NVS-10610040WS**  
Horizontal Directivity Pattern

Item	Model	NVS-10560020WS/ NVS-10570020WS	NVS-10580030WS/ NVS-10590030WS	NVS-10600040WS/ NVS-10610040WS
Unit Driver		4"×1, 1"×1	5"×1, 1"×1	6.5"×1, 1"×1
Working Voltage		100V	100V	100V
Rated Power (RMS)		20W	30W	40W
Frequency Response		95Hz-20kHz	80Hz-20kHz	65Hz-20kHz
Sensitivity (1m, 1W)		90±2dB	90±2dB	91±2dB
MAX. SPL. (1m)		103±2dB	105±2dB	106±2dB
Product Size (H×W×D)		255×176×170mm	280×194×185mm	310×215×203mm
Net Weight		2.8kg	3.2kg	4.3kg



**Norden Communication UK Ltd.**

Unit 13 Baker Close, Oakwood Business park, Clacton-On-Sea,  
Essex CO15 4BD, United Kingdom  
Tel +44 (0) 1255 474063 | E-mail: support@norden.co.uk